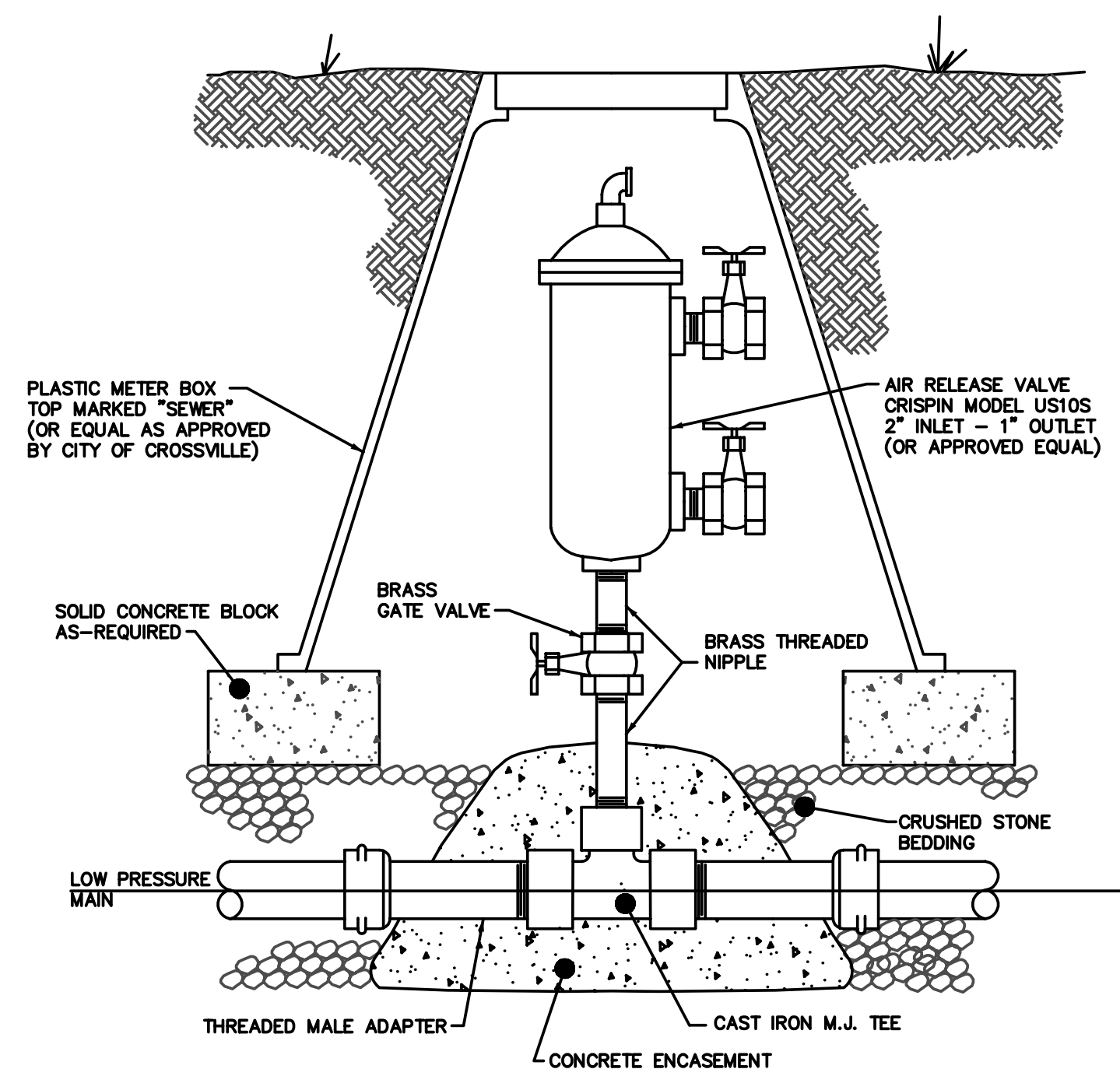
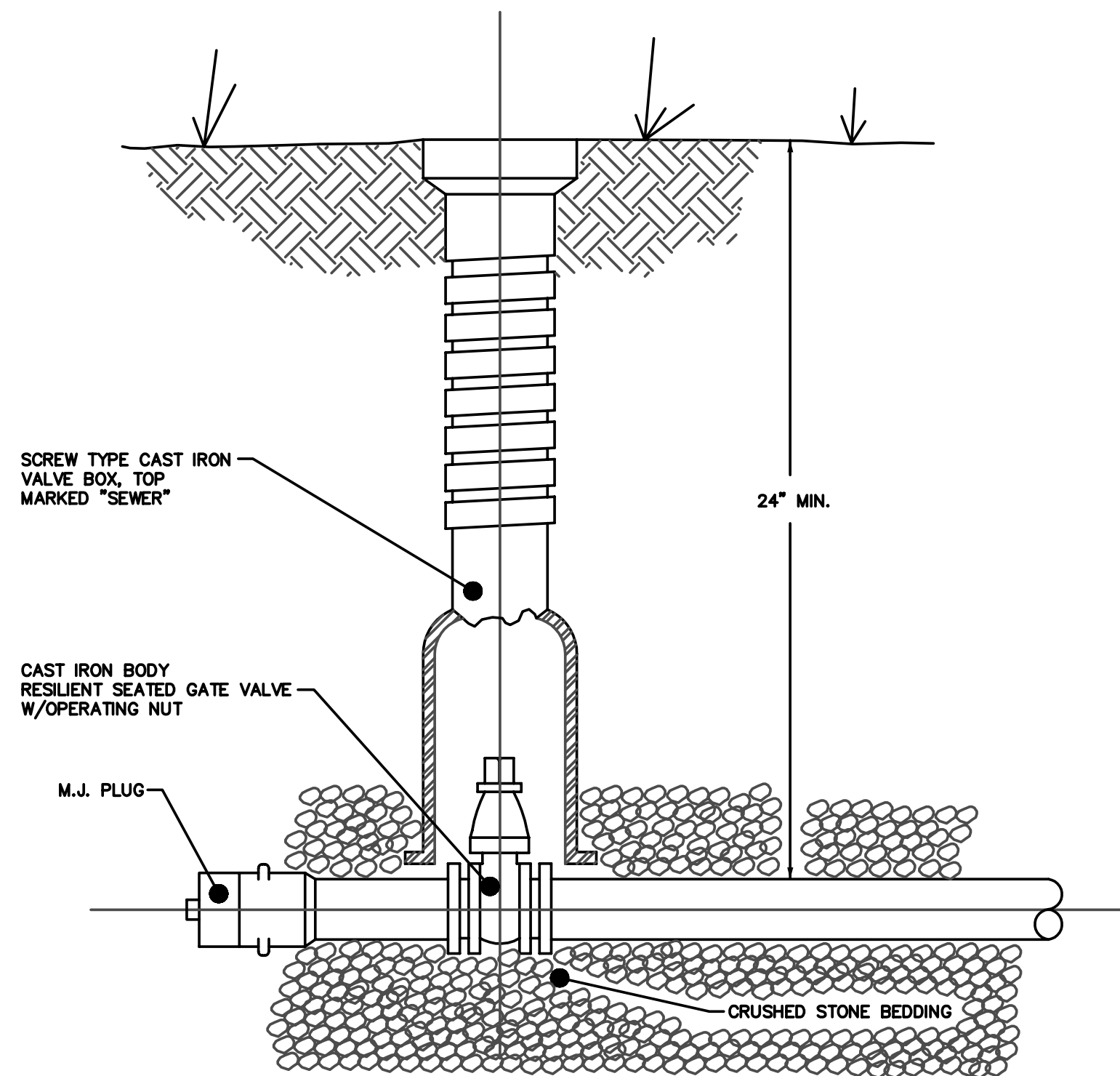


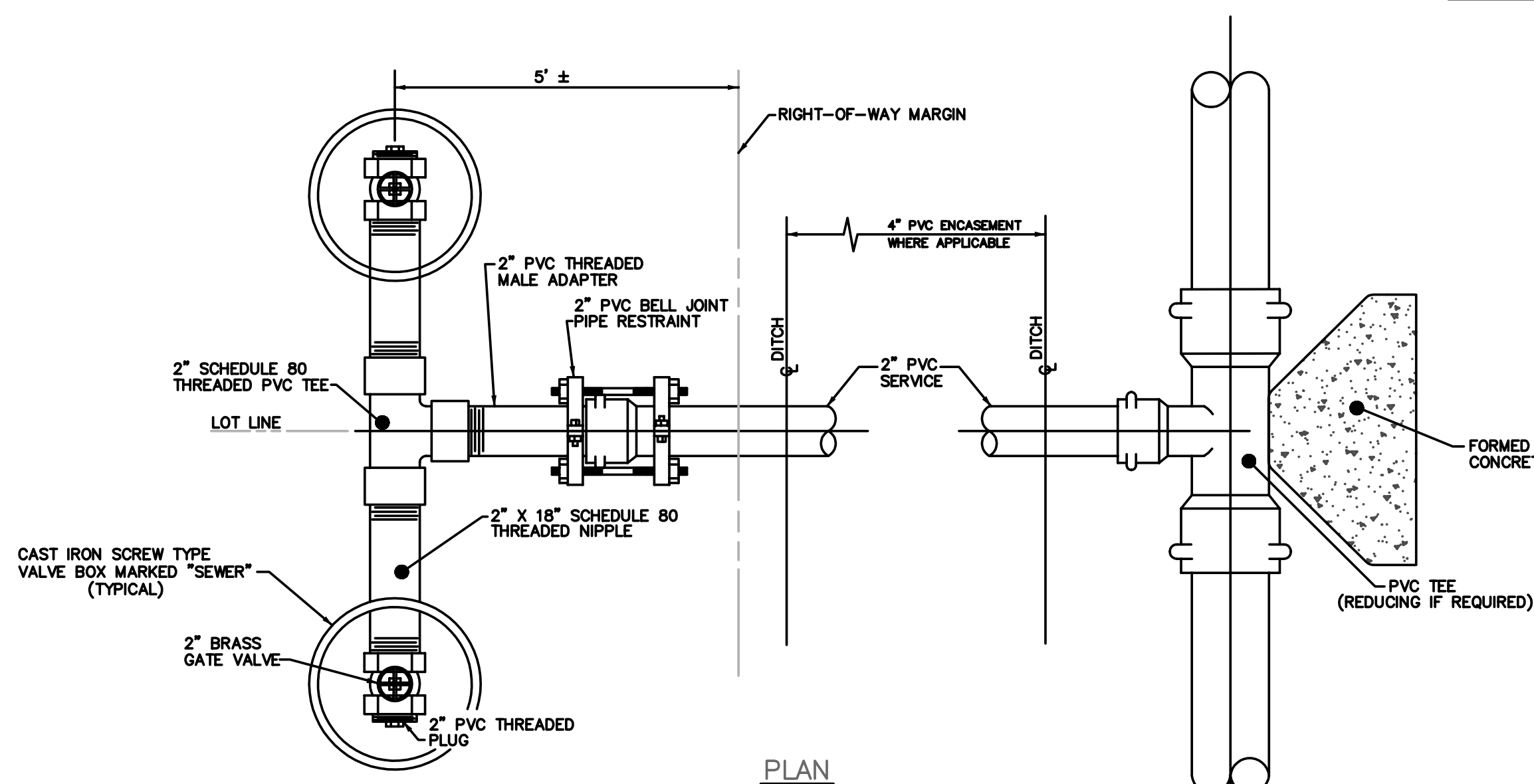
TYPICAL JUNCTION CONNECTION
NO SCALE



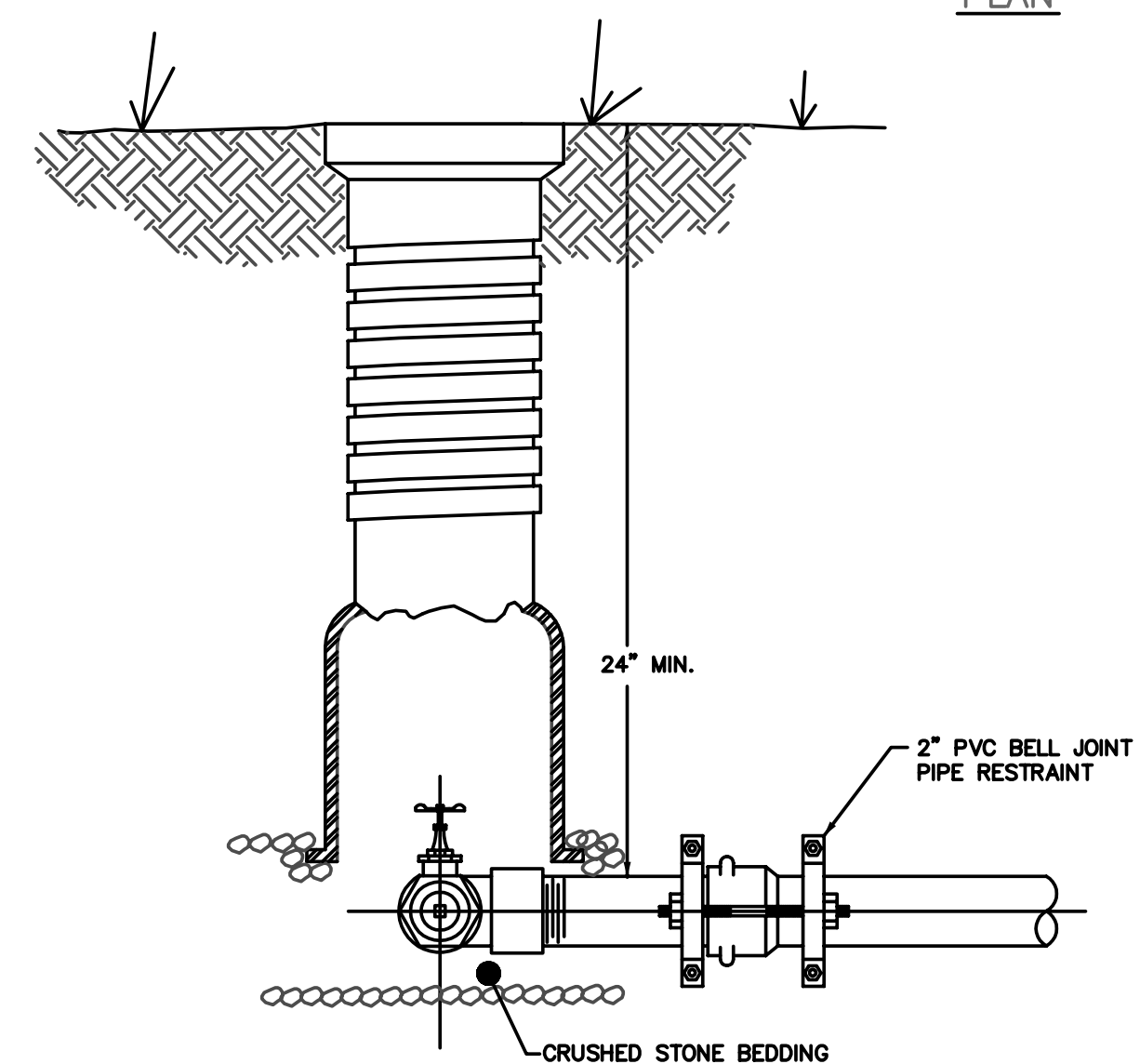
AUTOMATIC AIR RELEASE VALVE
NO SCALE



TYPICAL TERMINAL VALVE
NOT TO SCALE



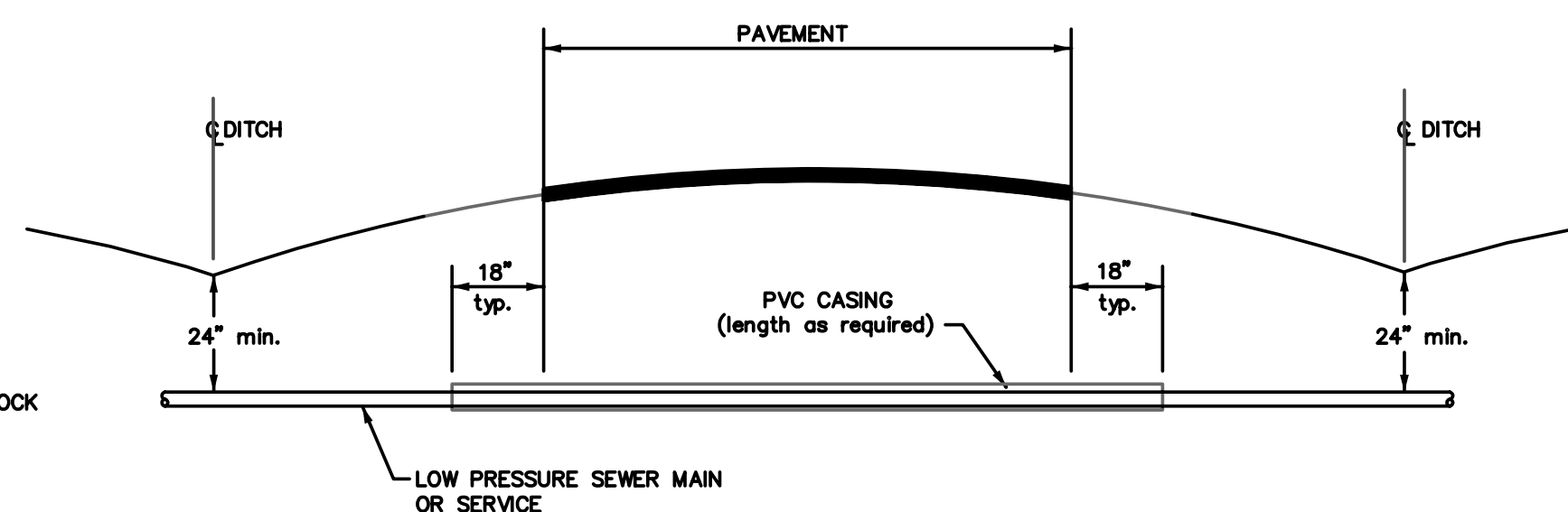
PLAN



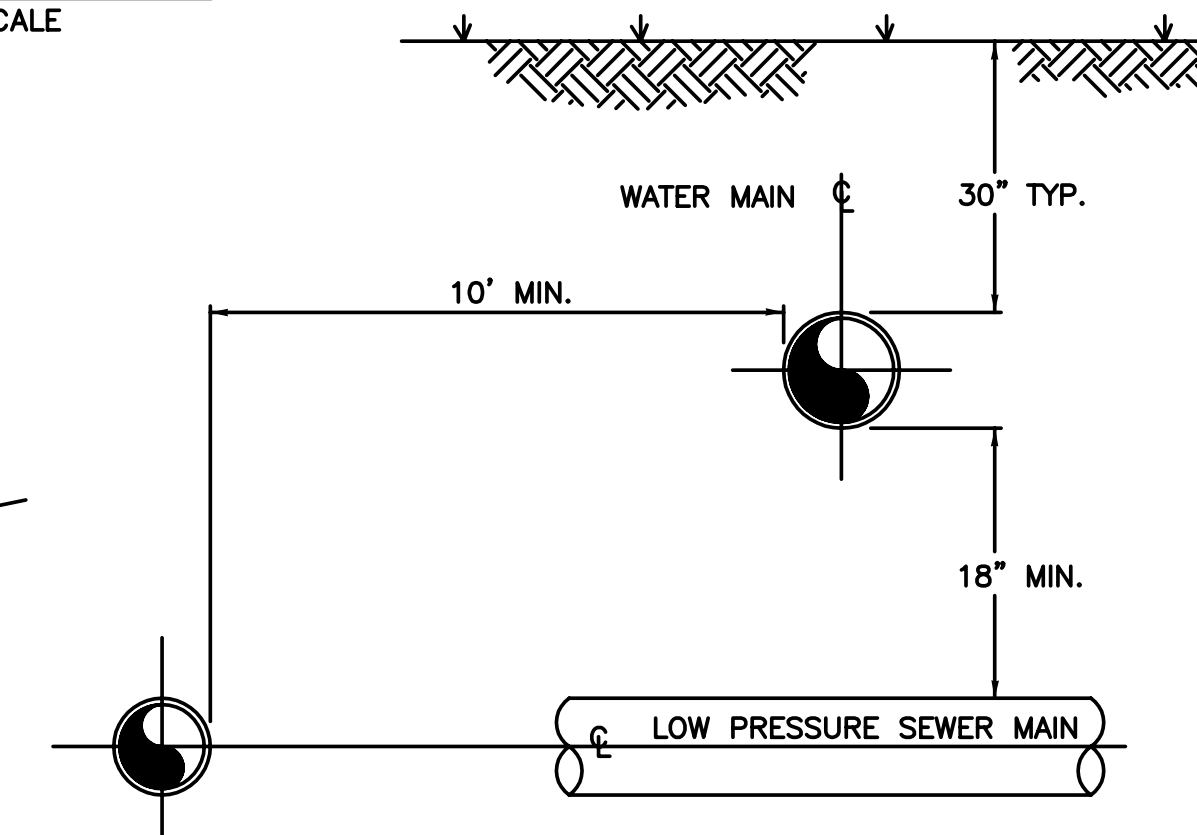
SECTION

TYPICAL SERVICE LINE CONNECTION

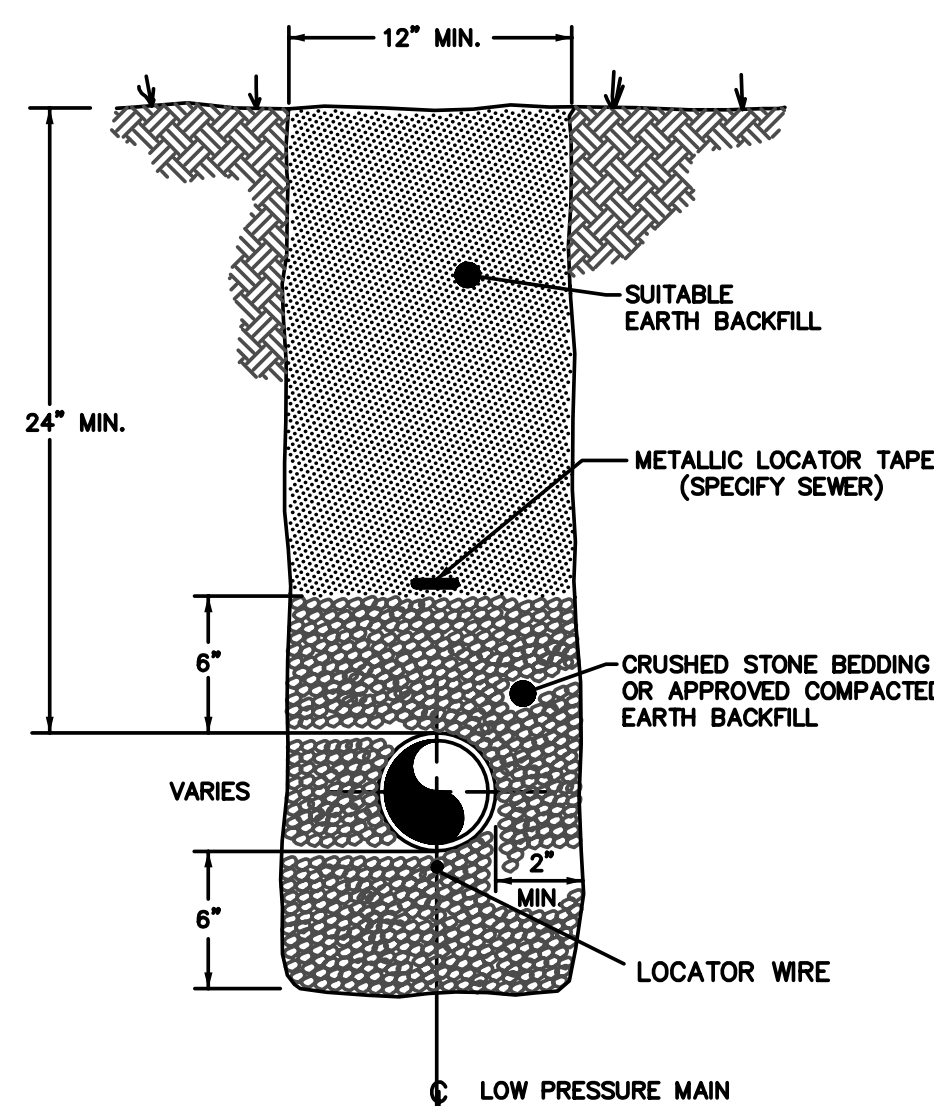
NOTE: 1. DOUBLE LOT CONNECTION SHOWN. FOR SINGLE SERVICE CONNECTION ELIMINATE TEE AND PROVIDE ONE GATE VALVE, PLUG AND VALVE BOX.
2. ALL SERVICES EXTENDING UNDER ROADWAYS SHALL BE ENCASED.



TYPICAL CITY - COUNTY ROAD CROSSING
NOTE: STATE ROAD CROSSINGS SHALL BE BORED AND STEEL CASED

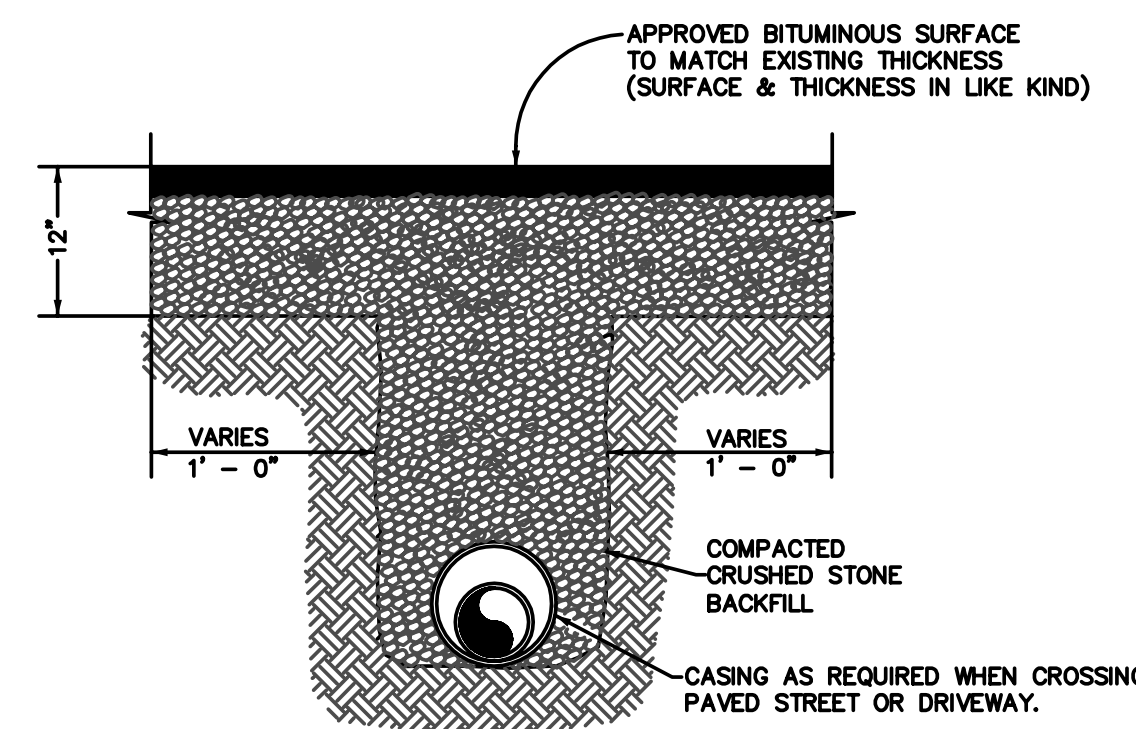


SEPARATION OF PIPED UTILITIES
NO SCALE

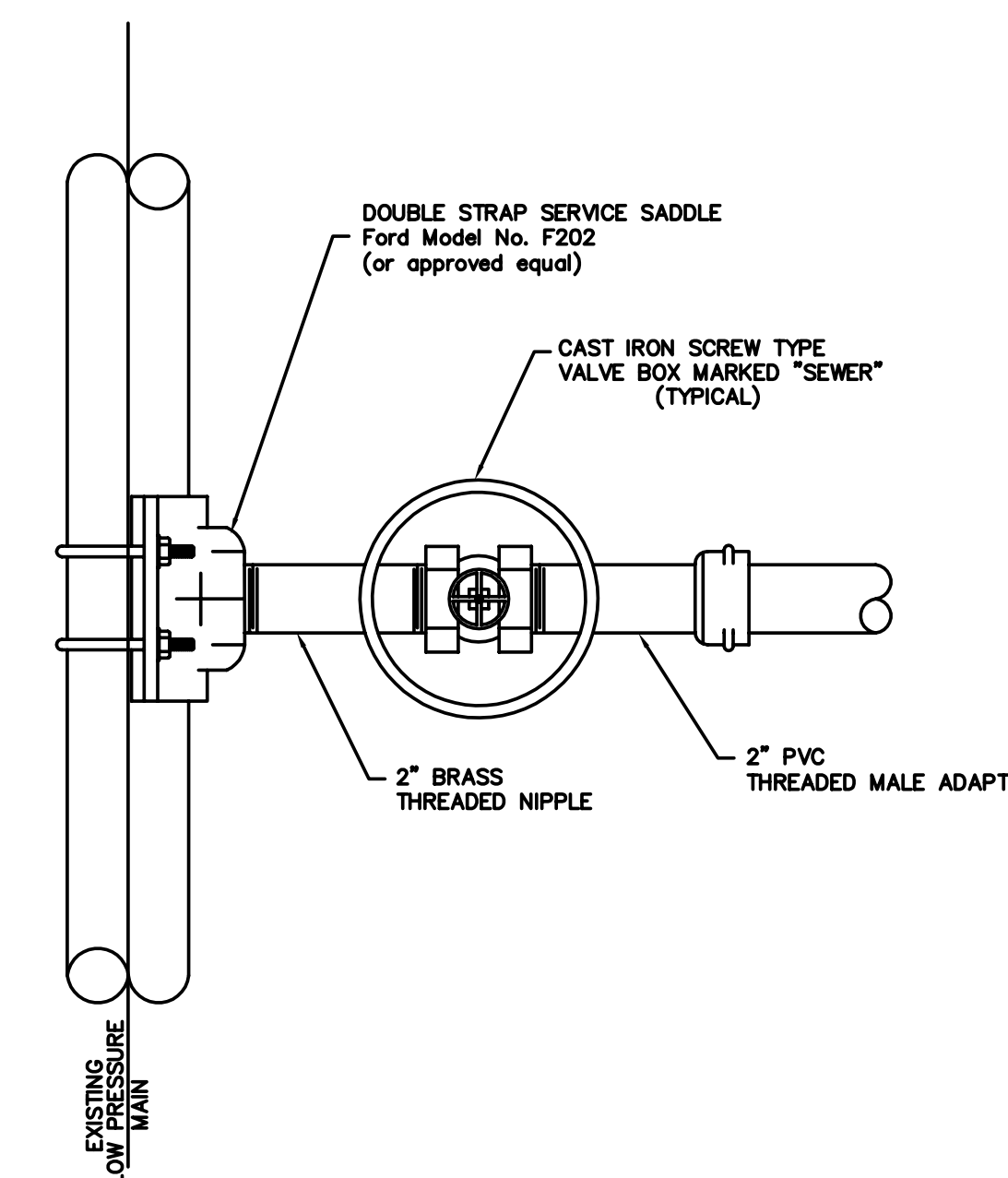


TYPICAL BEDDING DETAIL

NOTE: METALLIC LOCATOR TAPE (SEWER) TO BE INSTALLED IN TRENCH 6" - 8" ABOVE SEWER LINE.



BITUMINOUS SURFACE
CITY STREET OR COUNTY ROAD
PAVEMENT REPLACEMENT BACKFILL
STATE ROAD CROSSINGS ARE TO BE BORED & CASED



SERVICE CONNECTION TO EXISTING MAIN
NO SCALE

LOW PRESSURE SANITARY
SEWER LINE DETAILS

NO.	DATE	REVISION DESCRIPTION

FILE NAME: CROSSVILLE TYP
DETAILS2.DWG
DRAWN BY:
CHECKED BY: GD
DATE: 7/26/99
PROJECT NO.:

SHEET NO.
1 OF 1

SHEET TITLE
LPSS DETAILS